



US00D646078S

(12) **United States Design Patent**
Shih

(10) **Patent No.:** **US D646,078 S**

(45) **Date of Patent:** **** Oct. 4, 2011**

(54) **ELECTRIC BED FRAME**

(75) Inventor: **Lung-Tan Shih**, Lukang Town (TW)

(73) Assignee: **Ruoey Lung Enterprise Corp.**, Lukang Town, Changhua Hsien (TW)

(**) Term: **14 Years**

(21) Appl. No.: **29/381,403**

(22) Filed: **Dec. 19, 2010**

(51) **LOC (9) Cl.** **06-02**

(52) **U.S. Cl.** **D6/382**

(58) **Field of Classification Search** D6/382,
D6/383, 388, 393-395, 505-508, 503, 349,
D6/355, 361; 5/53.1, 907, 279.1, 280, 281,
5/191, 600, 610, 613, 611, 617, 618, 186.1,
5/620, 509.1, 184

See application file for complete search history.

(56) **References Cited**

U.S. PATENT DOCUMENTS

4,097,939 A * 7/1978 Peck et al. 5/611
4,276,665 A * 7/1981 Mis 5/184

4,715,073 A * 12/1987 Butler 5/607
D331,159 S * 11/1992 Bueno D6/392
5,243,726 A * 9/1993 Bisbee 5/610
D428,726 S * 8/2000 Graziano D6/382

* cited by examiner

Primary Examiner — Janice Seeger

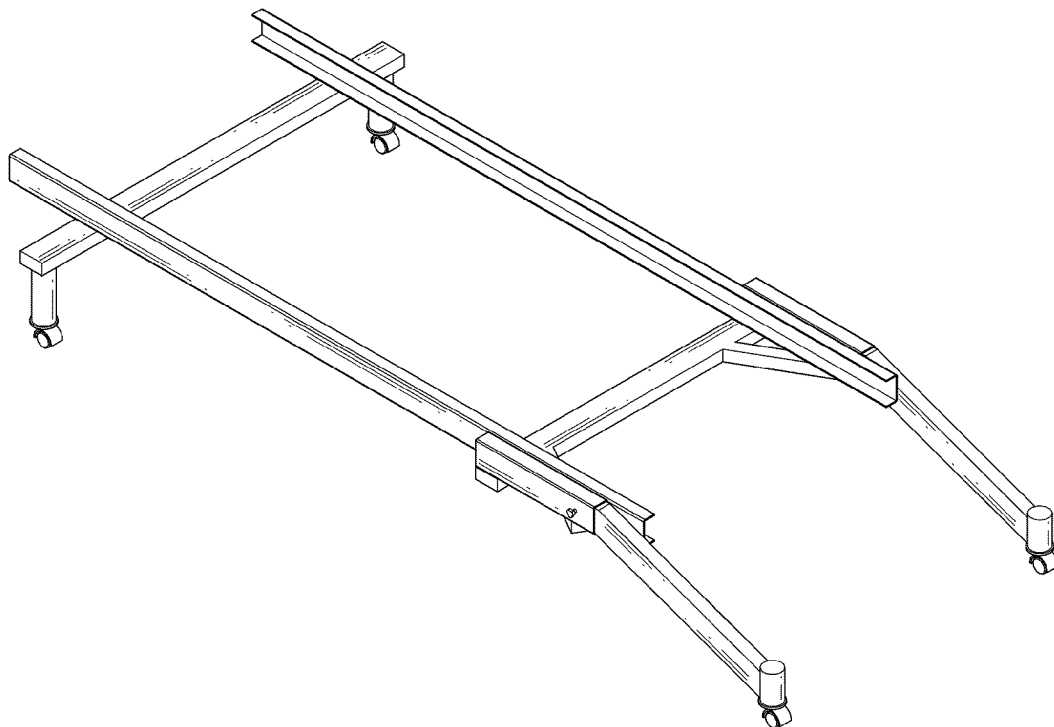
(57) **CLAIM**

The ornamental design for an electric bed frame, as shown and described.

DESCRIPTION

FIG. 1 is a perspective view of an electric bed frame showing my new design;
FIG. 2 is a front view of the embodiment shown in FIG. 1;
FIG. 3 is a rear view of the embodiment shown in FIG. 1;
FIG. 4 is a left side view of the embodiment shown in FIG. 1;
FIG. 5 is a right side view of the embodiment shown in FIG. 1;
FIG. 6 is a top view of the embodiment shown in FIG. 1; and,
FIG. 7 is a bottom view of the embodiment shown in FIG. 1.

1 Claim, 4 Drawing Sheets



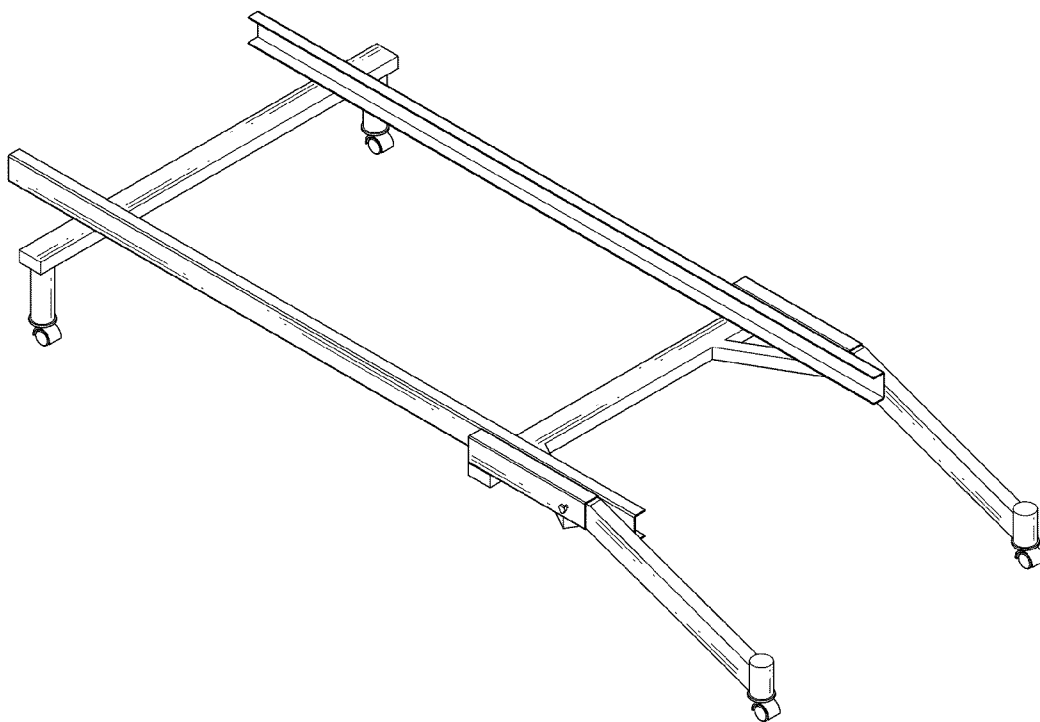


FIG. 1



FIG. 2

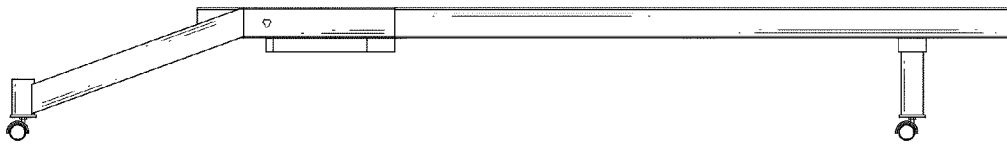


FIG. 3

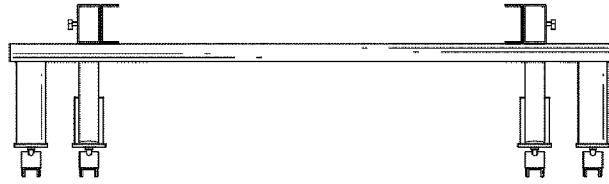


FIG. 4

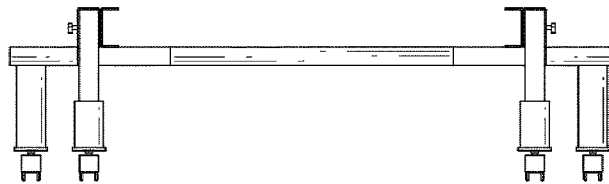


FIG. 5

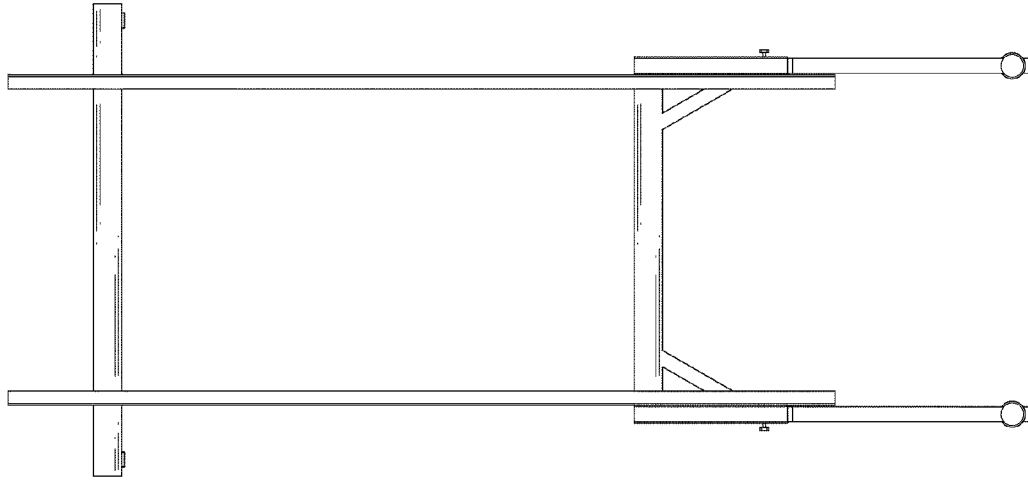


FIG. 6

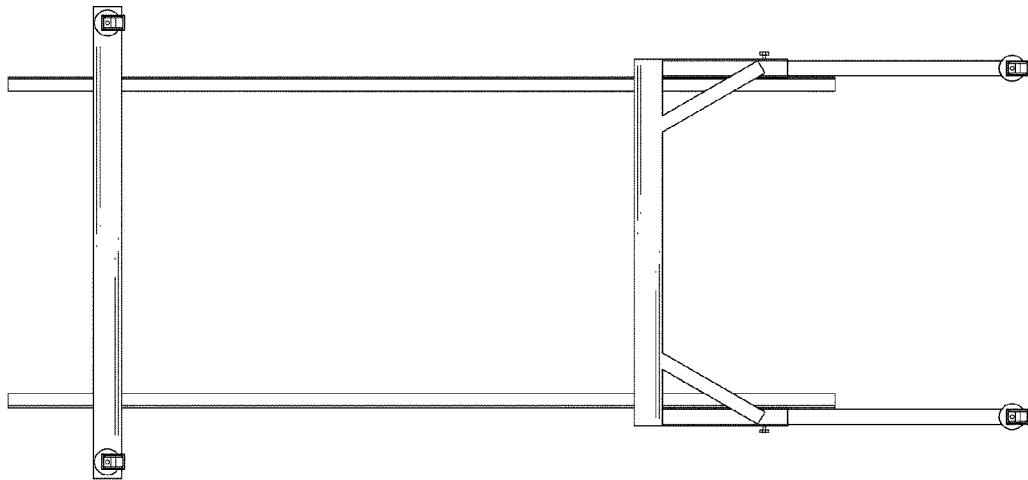


FIG. 7