



US00D657157S

(12) **United States Design Patent**  
**Shih**

(10) **Patent No.:** **US D657,157 S**

(45) **Date of Patent:** **\*\* Apr. 10, 2012**

- (54) **ELECTRICAL FOLDING BED**
- (75) Inventor: **Chuan-Hang Shih**, Changhua County (TW)
- (73) Assignees: **Ruoey Lung Enterprise Corp.**, Chang-Pin Industrial Park, Lu-Kang Town, Changhua County (TW); **PPJ LLC**, Natick, MA (US)

5,109,558	A *	5/1992	Di Blasi	5/611
5,926,877	A *	7/1999	Lin	5/618
5,953,778	A *	9/1999	Hiatt	5/716
2004/0074002	A1 *	4/2004	Bannister	5/613
2004/0187213	A1 *	9/2004	Wang	5/618
2008/0120777	A1 *	5/2008	Rawls-Meehan	5/600
2010/0186168	A1 *	7/2010	Harrison	5/616
2010/0287704	A1 *	11/2010	Hibler	5/613

\* cited by examiner

*Primary Examiner* — Janice Seeger

(\*\*) Term: **14 Years**

(21) Appl. No.: **29/390,803**

(22) Filed: **Apr. 29, 2011**

(51) **LOC (9) Cl.** ..... **06-02**

(52) **U.S. Cl.** ..... **D6/392; D6/361; D6/595**

(58) **Field of Classification Search** ..... D6/595, D6/596, 601, 605, 382–384, 392, 361; 5/600, 5/607, 613, 616, 618, 620, 149, 420, 722  
See application file for complete search history.

(56) **References Cited**

U.S. PATENT DOCUMENTS

D255,402	S *	6/1980	Lundgren	D6/382
D271,729	S *	12/1983	Dodrill	D6/392

(57) **CLAIM**

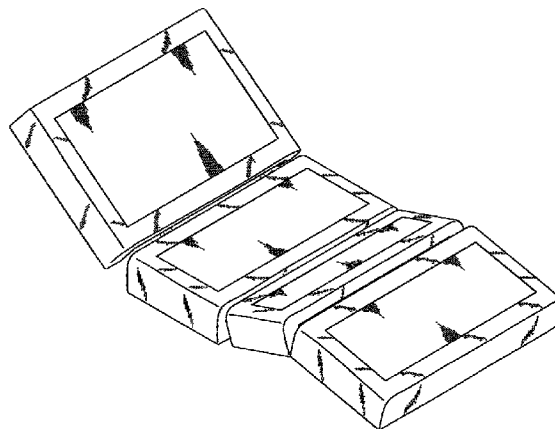
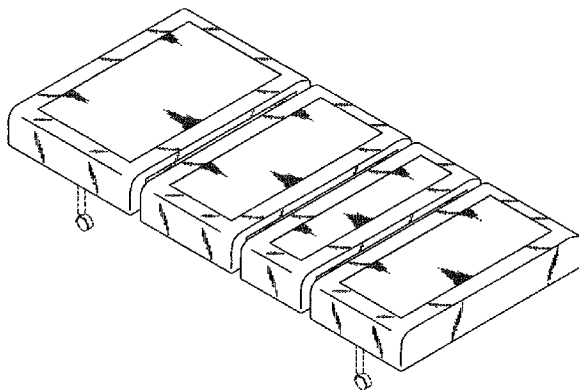
The ornamental design for an electrical folding bed, as shown and described.

**DESCRIPTION**

FIG. 1 shows a perspective view of the present design. FIG. 2 shows a top view of the present design. FIG. 3 shows a front view of the present design. FIG. 4 shows a right view of the present design; and, FIG. 5 is a perspective view showing the bed in a folded condition.

The broken lines are for environmental purposes only and form no part of the claimed design.

**1 Claim, 5 Drawing Sheets**



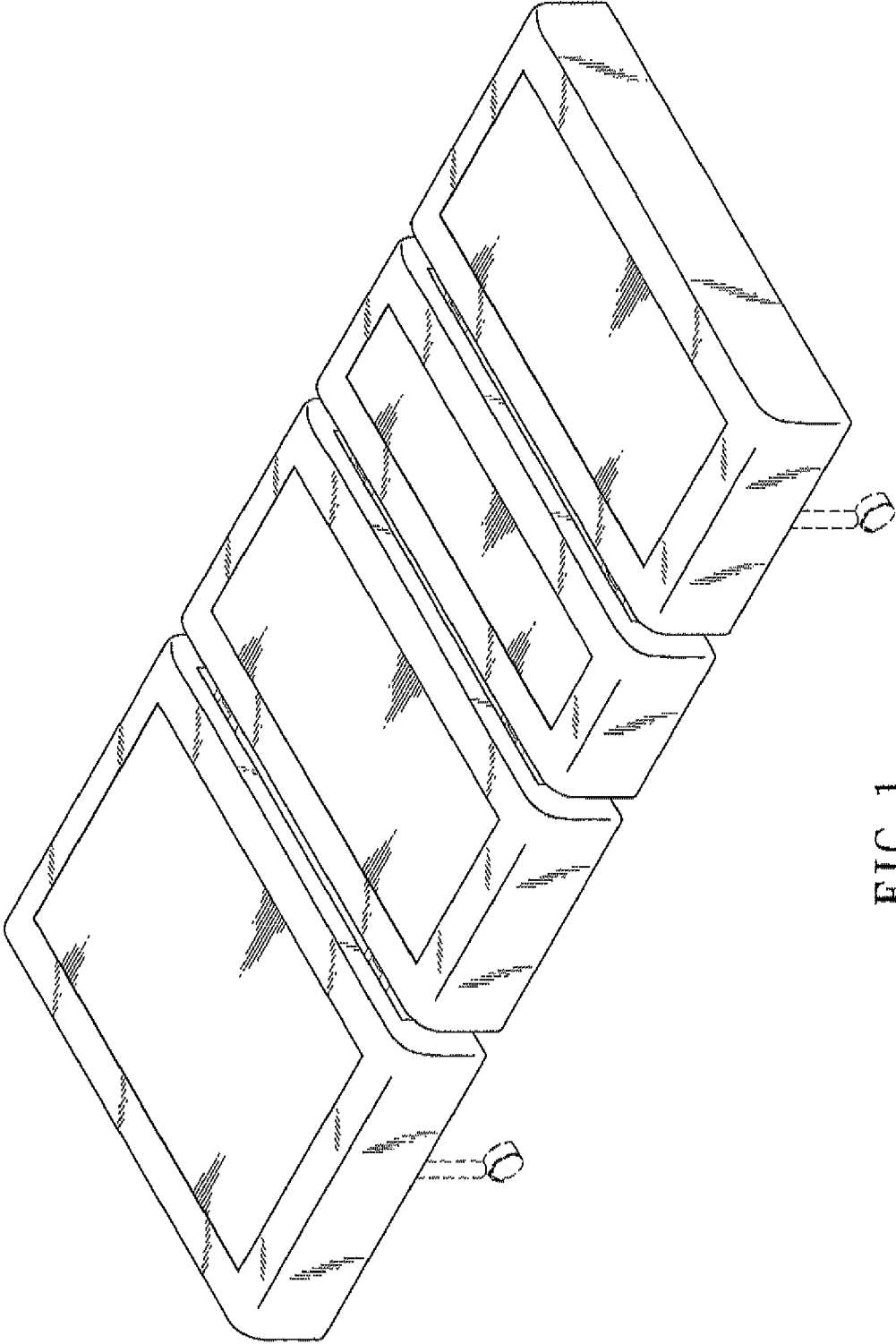


FIG. 1

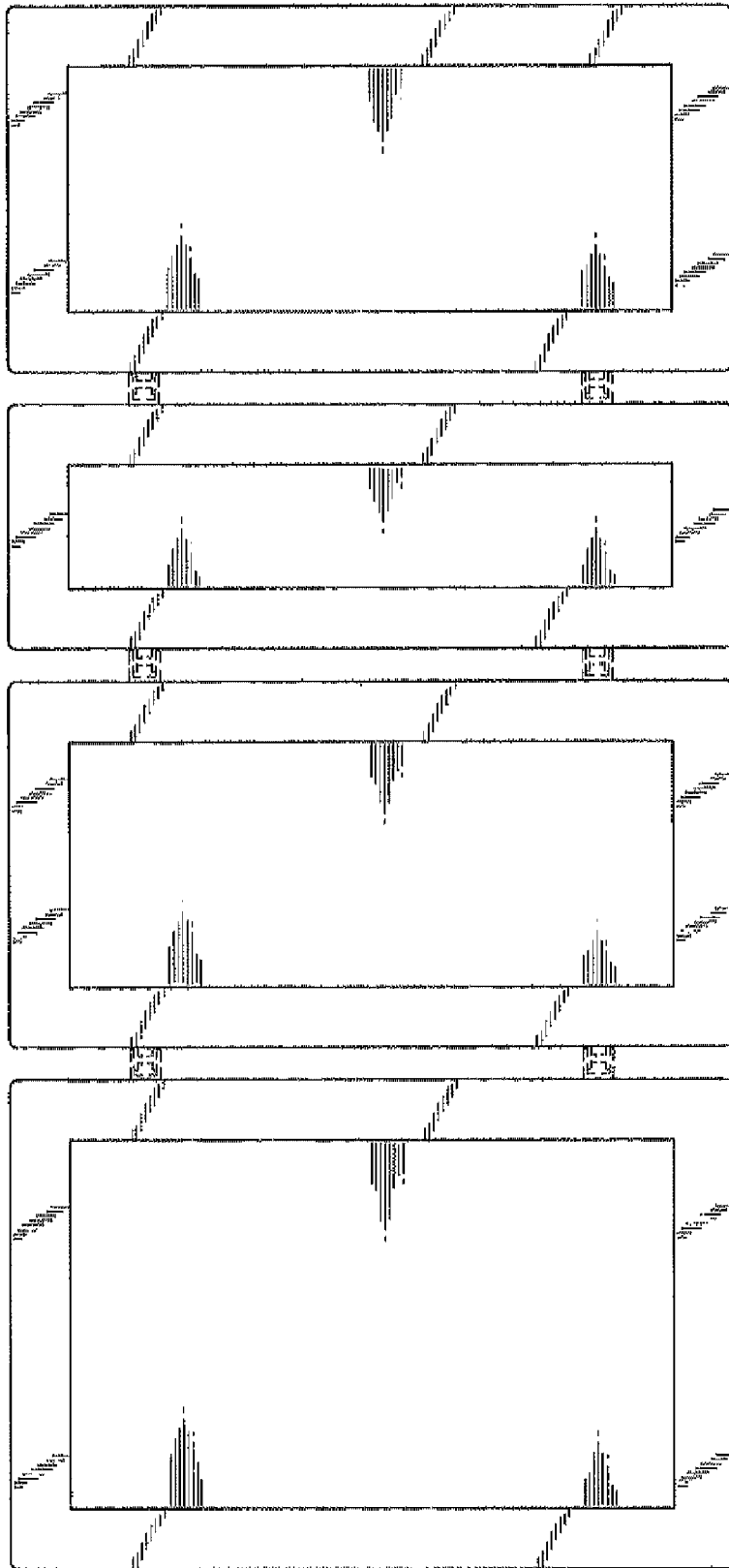


FIG. 2

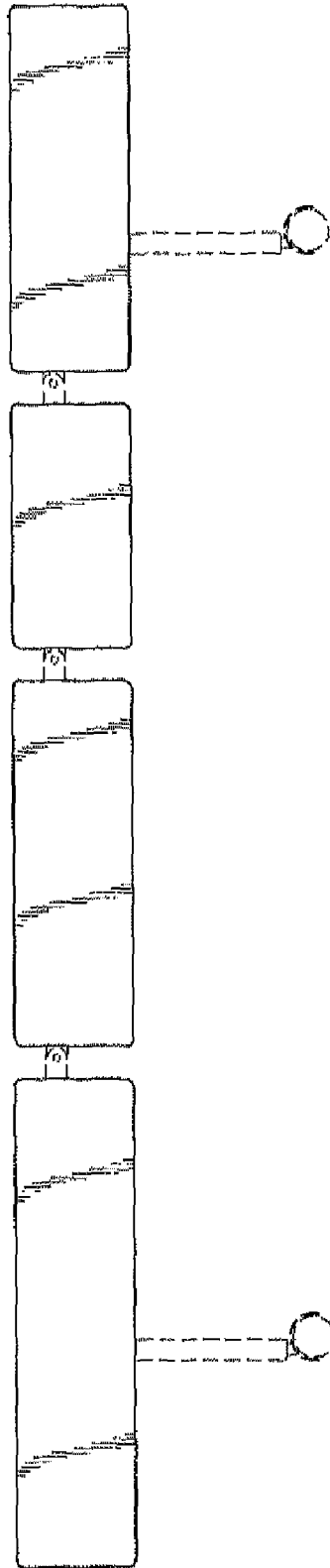


FIG. 3

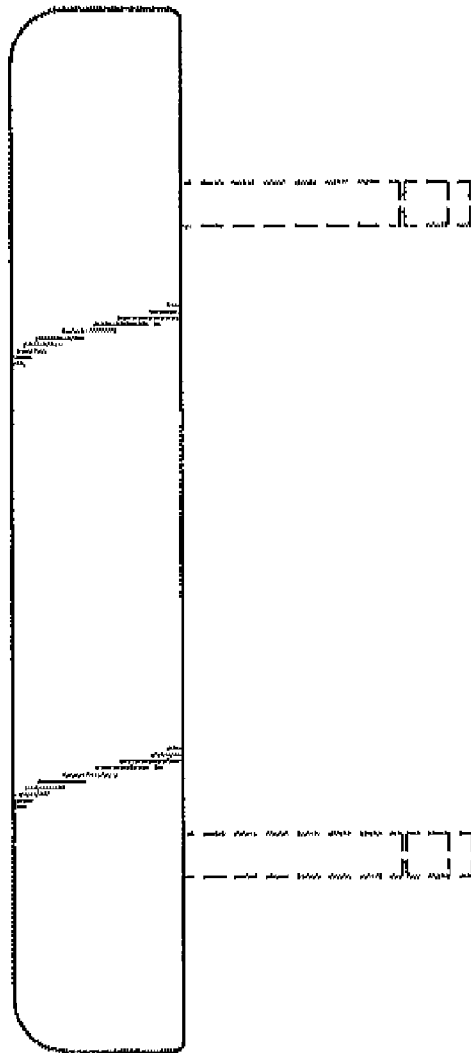


FIG. 4

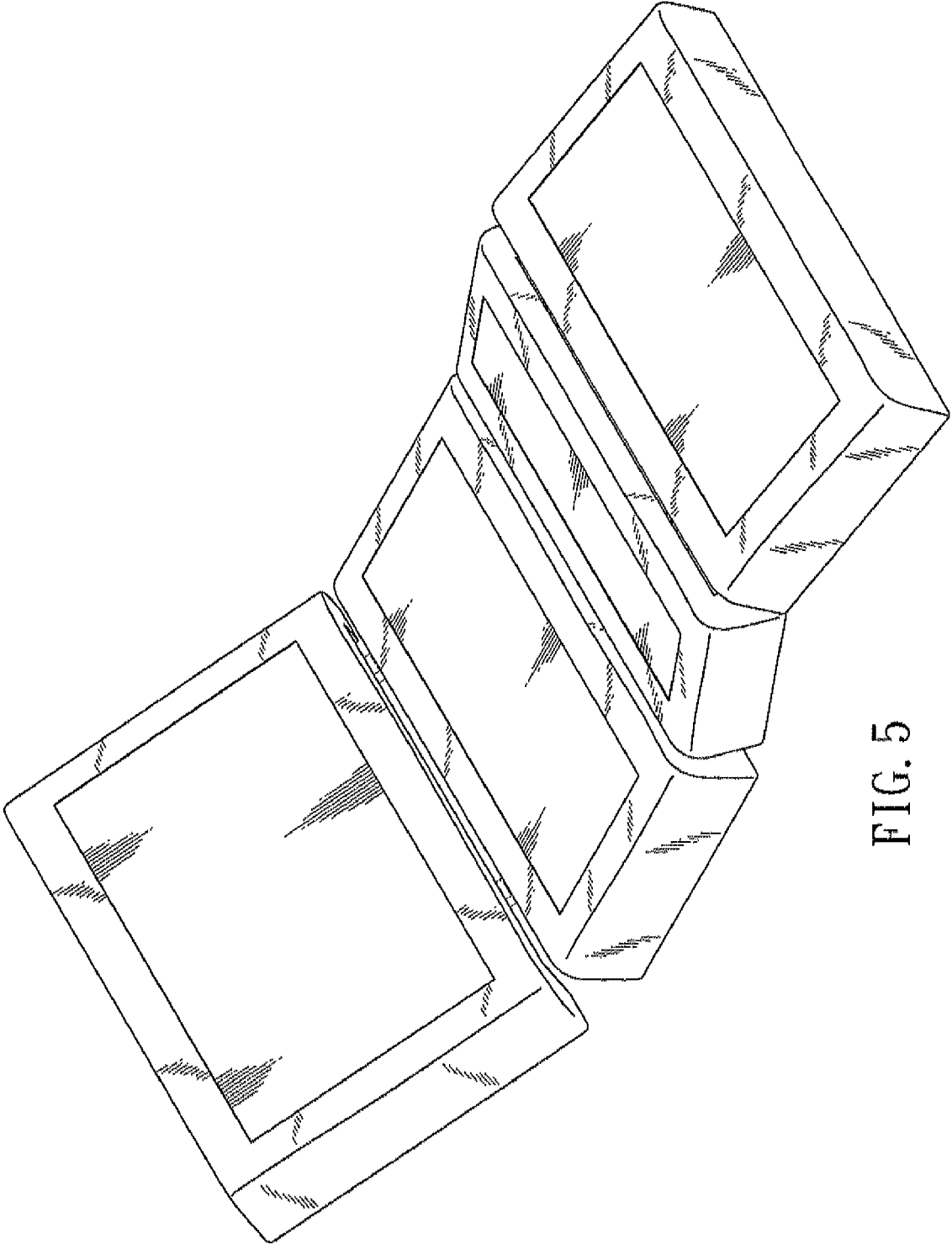


FIG. 5