



US00D657156S

(12) **United States Design Patent**
Shih

(10) **Patent No.:** **US D657,156 S**

(45) **Date of Patent:** **** Apr. 10, 2012**

(54) **ELECTRICAL FOLDING BED**

(75) Inventor: **Chuan-Hang Shih**, Changhua County (TW)

(73) Assignees: **Ruoey Lung Enterprise Corp.**, Chang-Pin Industrial Park, Lu-Kang Town, Changhua County (TW); **PPJ LLC**, Natick, MA (US)

(**) Term: **14 Years**

(21) Appl. No.: **29/390,797**

(22) Filed: **Apr. 29, 2011**

(51) **LOC (9) Cl.** **06-02**

(52) **U.S. Cl.** **D6/392; D6/361; D6/595**

(58) **Field of Classification Search** D6/595, D6/596, 601, 605, 382-384, 392, 361; 5/600, 5/607, 613, 616, 618, 620, 149, 420, 722
See application file for complete search history.

(56) **References Cited**

U.S. PATENT DOCUMENTS

D255,402 S * 6/1980 Lundgren D6/382
D271,729 S * 12/1983 Dodrill D6/392

5,926,877 A * 7/1999 Lin 5/618
5,953,778 A * 9/1999 Hiatt 5/716
2004/0074002 A1 * 4/2004 Bannister 5/613
2008/0120777 A1 * 5/2008 Rawls-Meehan 5/600
2010/0186168 A1 * 7/2010 Harrison 5/616
2010/0287704 A1 * 11/2010 Hibler 5/613

* cited by examiner

Primary Examiner — Janice Seeger

(57) **CLAIM**

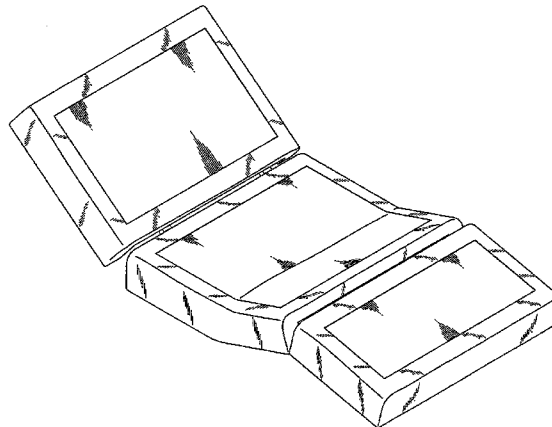
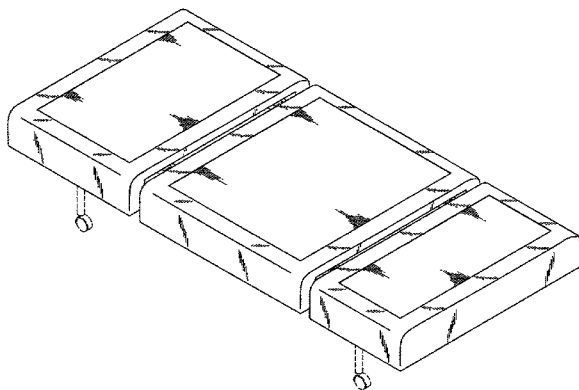
The ornamental design for an electrical folding bed, as shown and described.

DESCRIPTION

FIG. 1 shows a perspective view of the present design. FIG. 2 shows a top view of the present design. FIG. 3 shows a front view of the present design. FIG. 4 shows a right view of the present design; and, FIG. 5 is a perspective view showing the bed in a folded condition.

The broken lines are for environmental purposes only and form no part of the claimed design.

1 Claim, 5 Drawing Sheets



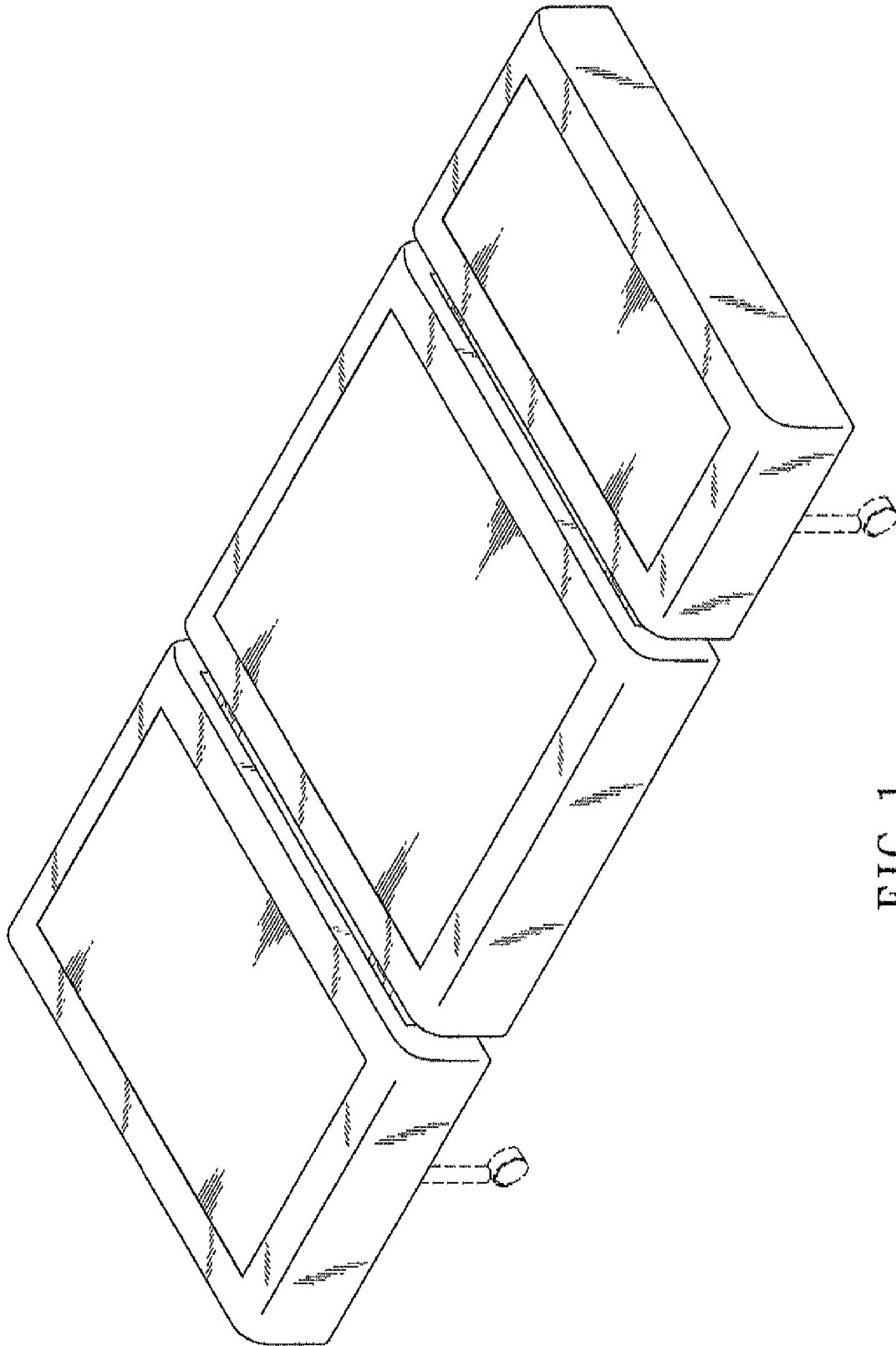


FIG. 1

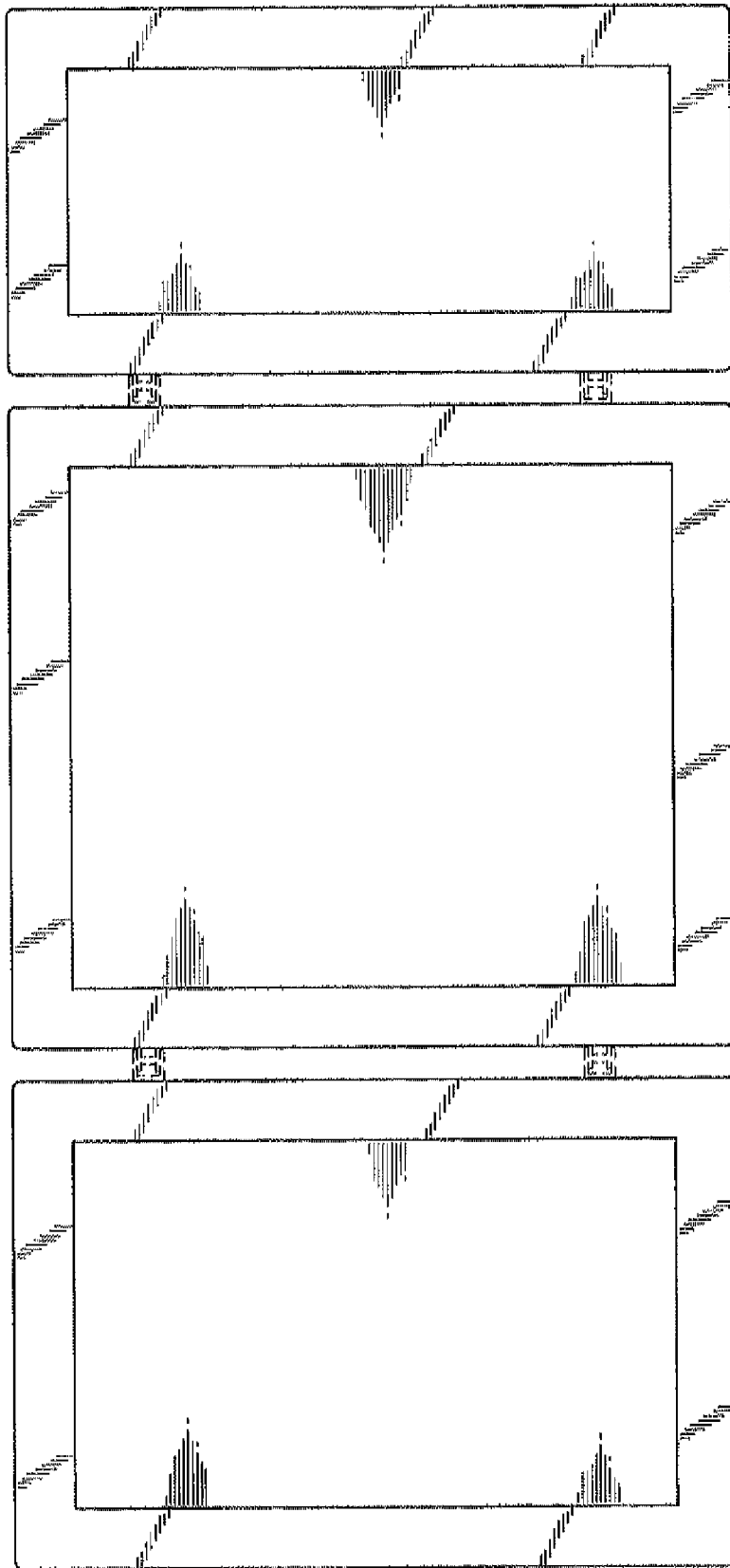


FIG. 2

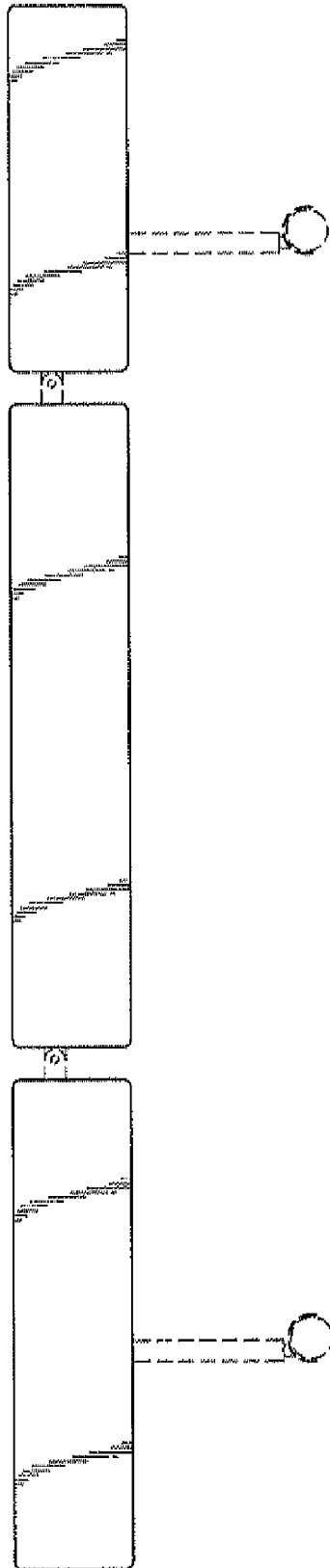


FIG. 3

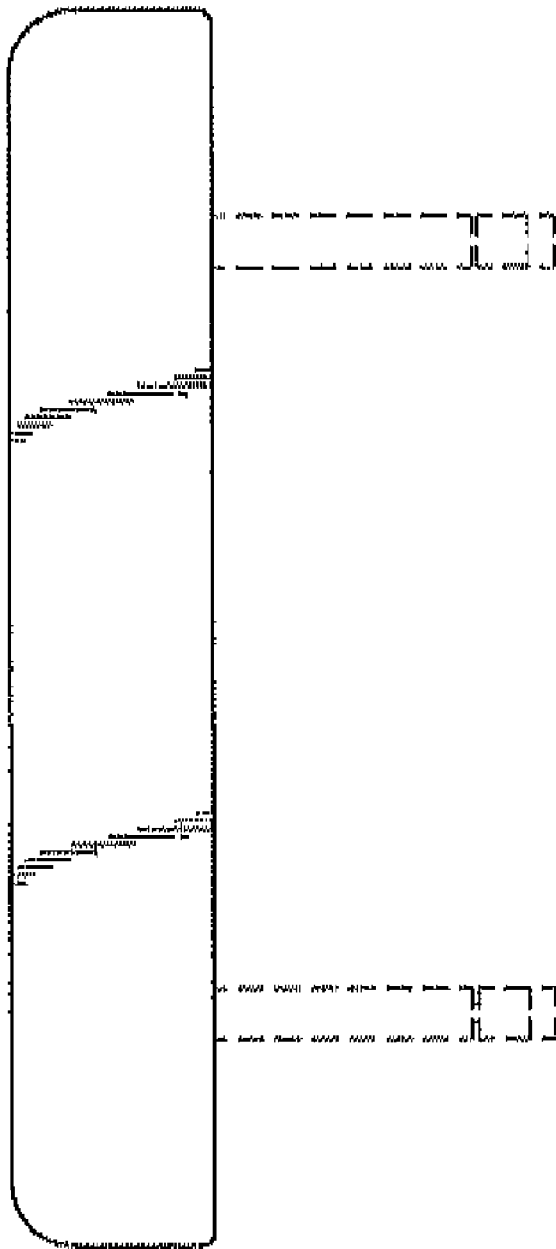


FIG. 4

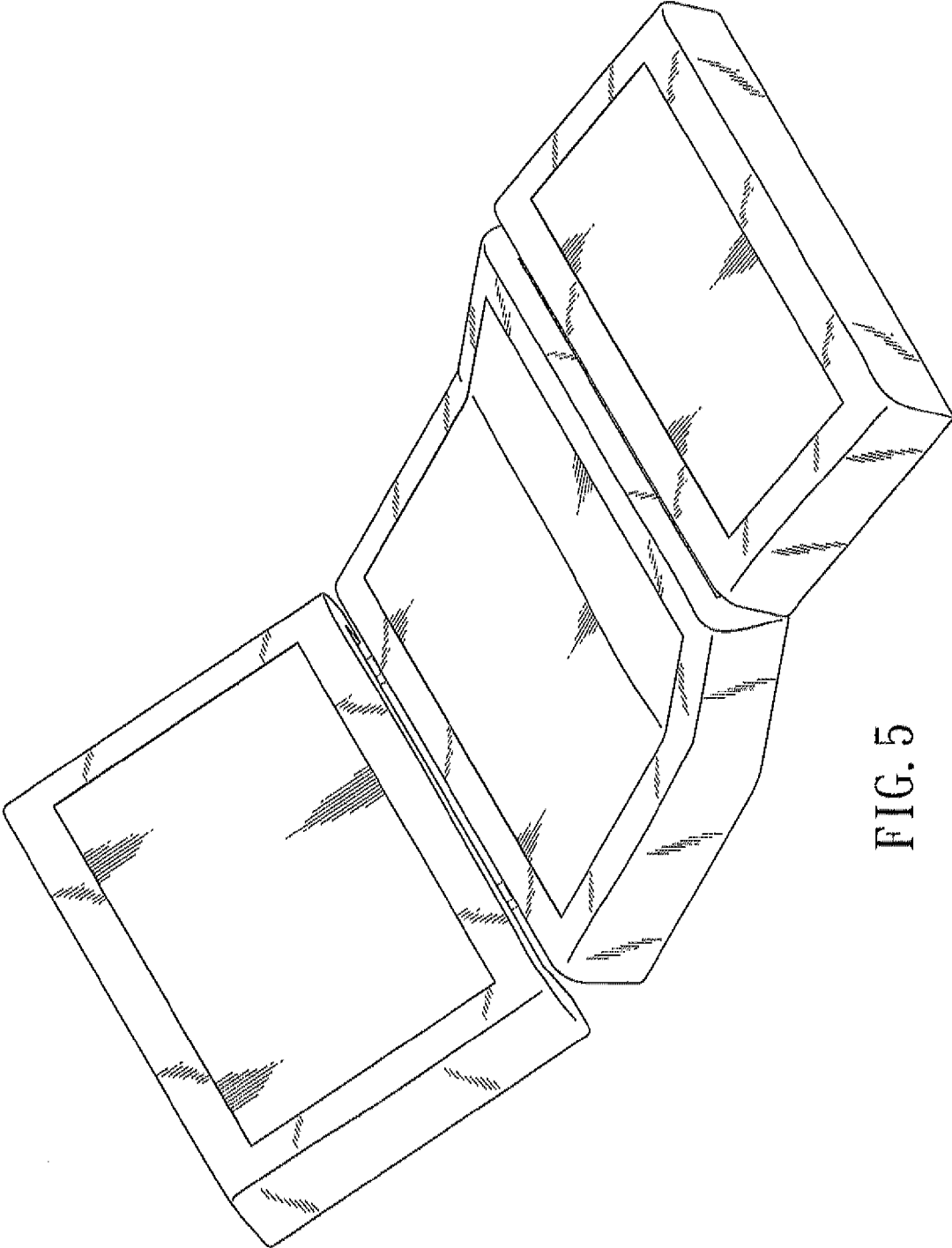


FIG. 5